

24BIT / 32kHz - 48kHz DUAL DA-Converter ADDU2448



Fig.1 DA-Converter / Art.No. ADDU2448-TB

Der AD- Wandler ist mit zwei 24Bit/48kHz Wandlern, elektrisch oder trafo-symmetrischen Analogeingängen und zwei AES-Ausgängen pro Audioweg ausgestattet.

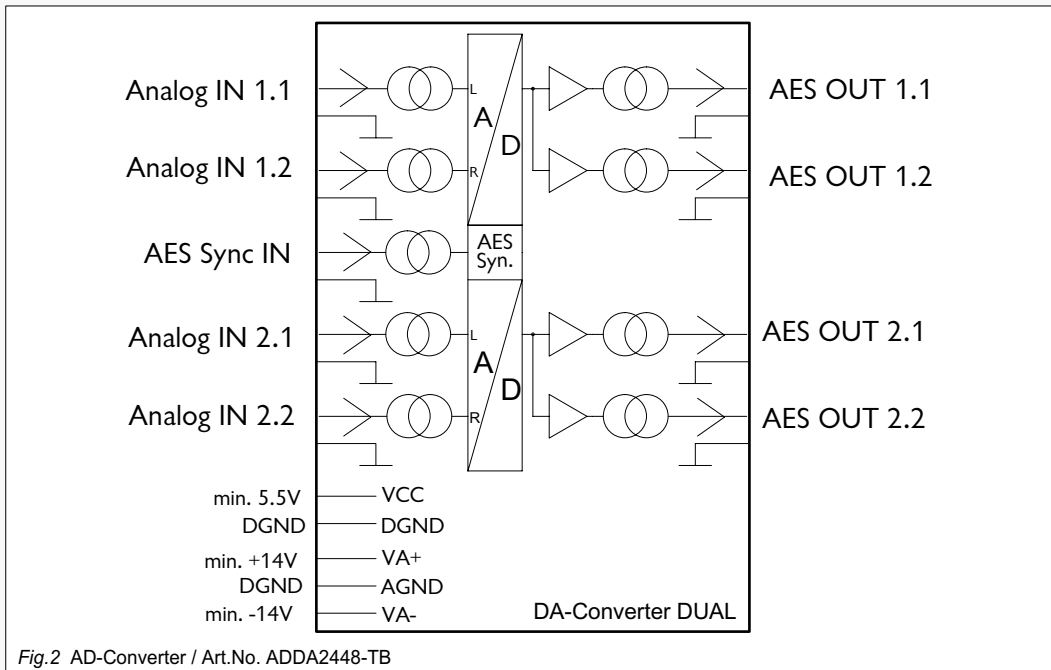
Der Wandler kann über ein AES-Signal synchronisiert werden.

Wird nur ein Wandlerkanal bestückt, ist dieser 100% pin-kompatibel zu den "high quality" 24Bit/32-96kHz AD-Wandler (Art.Nr.D0501-P1BA-V1) und stellt hiermit eine kostengünstige Alternative dar.

This AD converter is equipped with two 24Bit / 48kHz AD converters, transformer balanced or electrically balanced analog inputs and two AES outputs per audio path.

The Converter can be locked to an AES synchronisation signal.

It is possible to equip only one AD converter channel. In this case the converter is 100% pin compatible to the "high quality" 24Bit/32-96kHz converter and offers a cost-effective alternative to the "high quality" converter.



Technical Data:

<i>Digital Sync Inputs</i>	1 x transformer balanced AES/EBU
<i>Impedance</i>	110 Ohm $\pm 20\%$ (100kHz – 12,288MHz)
<i>Level</i>	0.5 Vpp to 6.0 Vpp at 110 Ohm
<i>Converter Resolution</i>	16 - 24 Bit
<i>Sample Frequency</i>	48kHz
<i>Analog Inputs</i>	4x transformer balanced
<i>Impedance</i>	>10k Ohm from 20Hz – 20kHz
<i>Frequency Range</i>	20Hz-20kHz (+0dB, - 0.1dB)
<i>Norm Input Level</i>	+6dBu (-9dBFs)
<i>Max. Input Level</i>	+15dBu (0dBFs)
<i>THD+N (22 – SR/2kHz)</i>	-1dBfs [1kHz / 0.006%] [40Hz / 0.163%] -9dBfs [1kHz / 0.0068%] [40Hz / 0.072%]
<i>Noise</i>	>100dB [20Hz – 22kHz] >104dB [A- rated]
<i>Dynamic Range</i>	>104dB [A- rated]
<i>Crosstalk</i>	>100dB [20Hz – 22kHz]
<i>Digital Outputs</i>	4x transformer balanced AES/EBU
<i>Impedance</i>	110 Ohm $\pm 20\%$ (100kHz – 12,288MHz)
<i>Level</i>	3.5 Vpp at 110 Ohm
<i>Converter Resolution</i>	24 Bit
<i>Sample Frequency</i>	48kHz with VCXO(+/-100ppm) or 12.288Mhz quartz oscillator -> no synchronization !
<i>Power Supply DC</i>	min.+14V/-14; +5.5V
<i>Dimensions</i>	160mm x 100mm without front panel
<i>Connector</i>	DIN 41612 /C /64p
<i>Environment</i>	0° to 50° Celsius
<i>Art.No.</i>	ADDU2448-TB > transformer balanced ADDU2448-EB > electrical balanced



THOMAS REITERER ELEKTRONIK GMBH

Adresse/Address: Habichergasse 32
A-1160 Wien/Vienna
Österreich/Austria

Tel.: +43 (0)1 494 16 48
FAX.: +43 (0)1 494 16 48 50
E-Mail: office@tr-elektronik.at
WWW.: www.tr-elektronik.at

Distributor Adresse/Address