

# 24BIT / 32kHz - 96kHz

## AD-Converter

### ADHQ2496

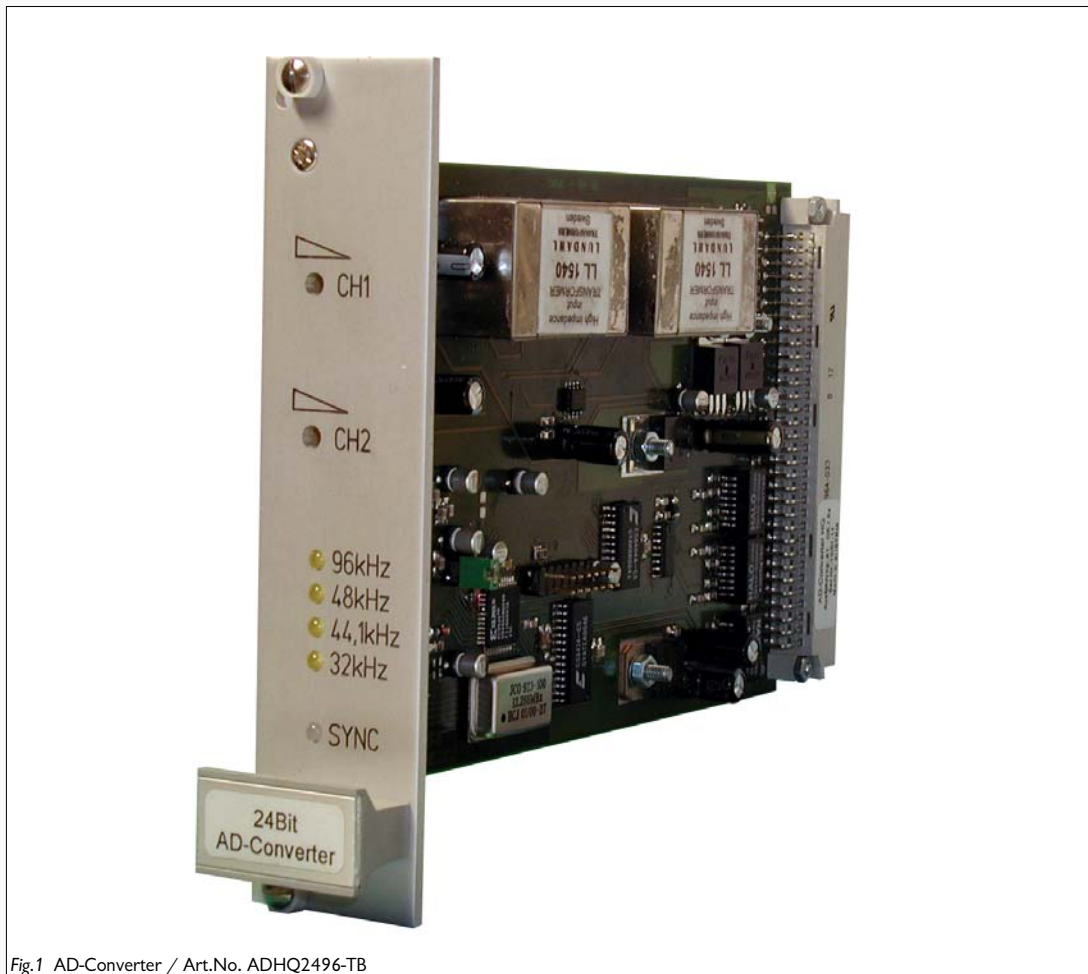


Fig.1 AD-Converter / Art.No. ADHQ2496-TB

Der AD- Wandler ist mit einem 24Bit/115dB/32k-96kHz Wandler, zwei elektrisch oder trafosymmetrischen Analogeingängen und vier AES- Aus-gängen ausgestattet (Fig.2).

Der Wandler kann über ein AES-Signal synchronisiert werden.

Es können einige Zusatzfunktionen über Jumper konfiguriert werden :

- 1) 96kHz Sample Frequenz
- 2) Vertauschung der Audiokanäle (CH1<->CH2)
- 3) VCXO aktiv / deaktiv
- ....

This AD converter is equipped with an 24Bit/115dB/32k-96kHz AD converter, two transformer balanced or electrically balanced analog inputs and four AES outputs (Fig.2).

The converter can be locked to an AES synchronisation signal.

With on-board jumpers it is possible to configure some additional features :

- 1) 96kHz Sample Frequency
- 2) Audio Channels Exchange (CH1<->CH2)
- 3) VCXO enable / disable
- ....

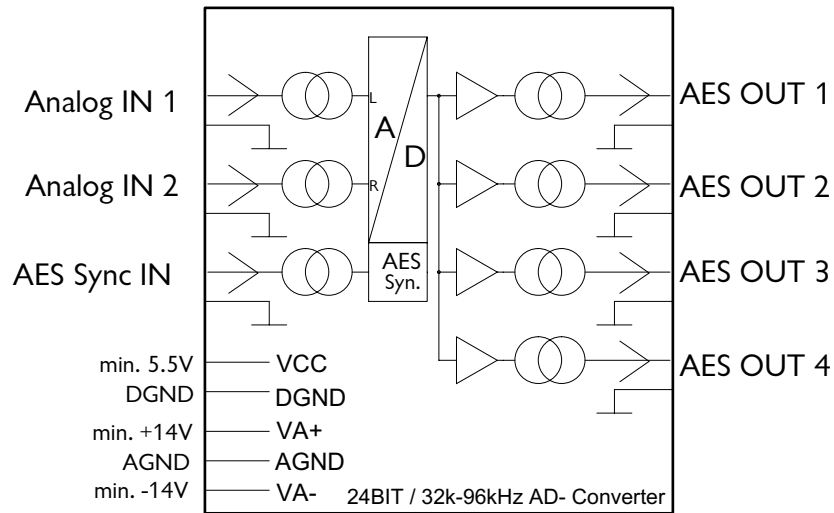


Fig.2 AD-Converter HQ / Art.No. ADHQ2496-TB

**Technical Data:**

Digital Sync Inputs	1 x transformer balanced AES/EBU
Impedance	110 Ohm $\pm 20\%$ (100kHz – 12,288MHz)
Level	0.5 Vpp to 6.0 Vpp at 110 Ohm
Converter Resolution	16 - 24 Bit
Sample Frequency	32kHz - 96kHz (192kHz on request)
Analog Inputs	2x transformer balanced
Impedance	>10k Ohm from 20Hz – 20kHz
Frequency Range	10Hz-20kHz (+0dB, -0.1dB)
Norm Input Level	+6dBu (-9dBFs)
Max. Input Level	+15dBu (0dBFs)
THD+N (20 - 22kHz)	-1dBfs [ 1kHz / 0.001% ] [ 40Hz / 0.003% ] -9dBfs [ 1kHz / 0.001% ] [ 40Hz / 0.002% ] -60dBfs [ 1kHz / 0.34% ] [ 40Hz / 0.34% ]
Noise	>105dB [20Hz – 22kHz] >110dB [ A- rated ]
Dynamic Range	>110dB [ A- rated ]
Crosstalk:	>105dB [20Hz – 22kHz]
Digital Outputs	4x transformer balanced AES/EBU
Impedance	110 Ohm $\pm 20\%$ (100kHz – 12,288MHz)
Level	3.5 Vpp at 110 Ohm
Converter Resolution	16 - 24 Bit
Sample Frequency	32k - 96kHz 48kHz and 96kHz with VCXO(+/-100ppm)jitter reduction
Power Supply DC	min.+14V/-14; +5.5V
Dimensions	160mm x 100mm without front panel
Connector	DIN 41612 /C /64p
Art.No.	ADHQ2496-TB > transformer balanced ADHQ2496-EB > electrical balanced



**THOMAS REITERER ELEKTRONIK GMBH**

Adresse/Address: Habichergasse 32  
A-1160 Wien/Vienna  
Österreich/Austria

Tel.: +43 (0)1 494 16 48  
FAX.: +43 (0)1 494 16 48 50  
E-Mail: office@tr-elektronik.at  
WWW: www.tr-elektronik.at

Distributor Adresse/Address