

24BIT / 32kHz - 48kHz DUAL DA-Converter DADU2448



Fig.1 DA-Converter / Art.No. DADU2448-TB

Der DA-Wandler ist mit zwei 24Bit/48kHz Wandlern und vier elektrisch oder trafosymmetrischen Analogausgängen ausgestattet. Wird nur ein Wandlerkanal bestückt, ist dieser 100% pinkompatibel zu den "high quality" 24Bit/32-96kHz DA-Wandler (Art.Nr.DAHQ2496) und stellt hiermit eine kostengünstige Alternative dar.

This DA converter is equipped with two 24Bit/48kHz DA converter and four transformer balanced or electrically balanced analog outputs. It is possible to equip only one DA converter channel. In this case the converter is 100% pin compatible to the "high quality" 24Bit/32-96kHz DA converter (Art.No.DAHQ2496), and offers a cost-effective alternative to the high quality converter.

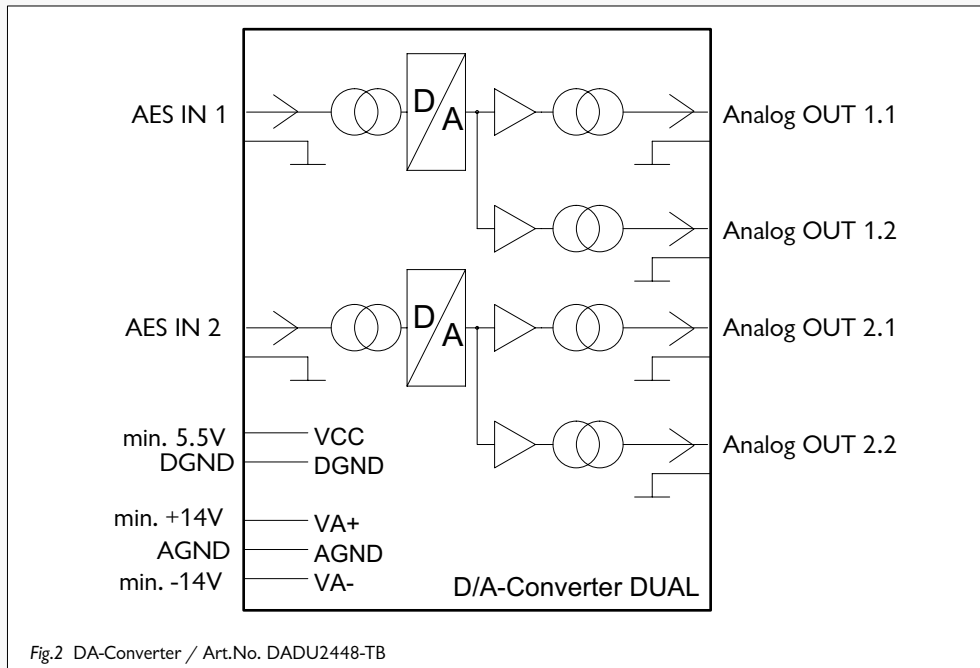


Fig.2 DA-Converter / Art.No. DADU2448-TB

Technical Data :

Digital Inputs	2 x transformer balanced AES/EBU
Impedance	110 Ohm $\pm 20\%$ (100kHz - 12,288MHz)
Level	0.5 Vpp to 6.0 Vpp at 110 Ohm
Converter Resolution	16 - 24 Bit
Sample Frequency	32k - 48kHz(96kHz/192kHz on request)

Analog Outputs	4x electrically balanced analog output
Output Impedance	<12 Ohm
Frequency Range	20Hz-20kHz
Norm Output Level	+6dBu
Max. Output Level	+15dBu
THD+N (20 - 22kHz)	-9dBfs [1kHz / 0.0016%] [300Hz / 0.0016%]
Noise	>100dB [20Hz - 22kHz]
Dynamic Range	>100dB
Crosstalk	>100dB [20Hz - 22kHz]
Art.No.	DADU2448-EB

Analog Outputs	4x transformer balanced
Output Impedance	<100 Ohm
Frequency Range	50Hz-20kHz (-3dB , 0dB)
Norm Output Level	+6dBu
Max. Output Level	+15dBu
THD+N (20 - 22kHz)	-9dBfs [1kHz / 0.005%] [100Hz / 0.018%]
Noise	>95dB [20Hz - 22kHz]
Dynamic Range	>95dB
Crosstalk	>90dB [20Hz - 22kHz]
Art.No.	DADU2448-TB

Power Supply DC	min.+14V/-14; +5.5V
Dimensions	160mm x 100mm without front panel
Connector	DIN 41612 /C /64p
Environment	0° to 50° Celsius



THOMAS REITERER ELEKTRONIK GMBH

Adresse/Address:	Habichergasse 32 A-1160 Wien/Vienna Österreich/Austria
Tel.:	+43 (0)1 494 16 48
FAX.:	+43 (0)1 494 16 48 50
E-M@il.:	office@tr-elektronik.at
WWW.:	www.tr-elektronik.at

Distributor Adresse/Address