



1.5G HD/SD SDI Embedder/DeEmbedder

EMDE15GHD / EM15GHD

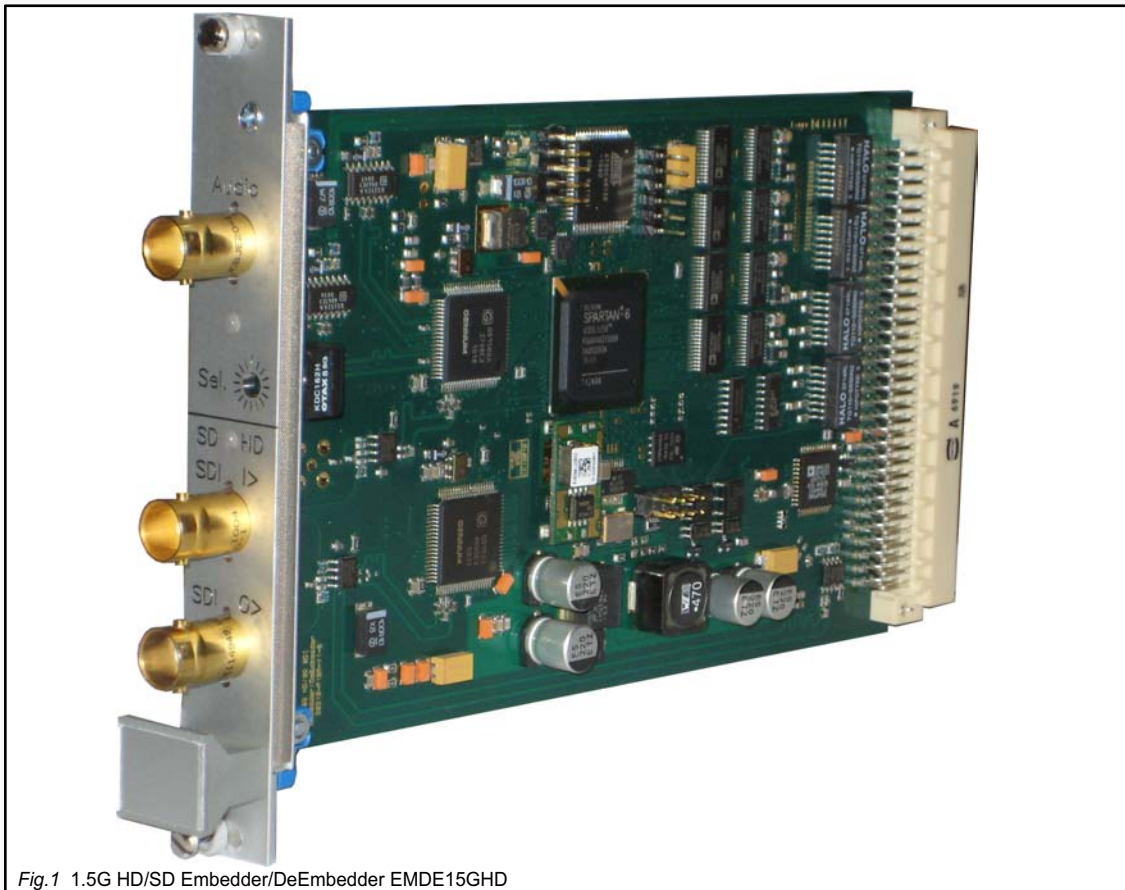


Fig.1 1.5G HD/SD Embedder/DeEmbedder EMDE15GHD

Der 1.5G HD/SD Embedder-DeEmbedder ist für eine einfache Bearbeitung von in SDI Video enthaltenen digitalen Audio-Kanälen gedacht. Der DEEM15HD unterstützt hierfür alle gängigen SDI Videoformate bis zu 1.5G HD Video.

Die Hauptmerkmale des DEEM15HD sind:

- zwei auswählbare SDI Eingänge
- leicht zugängliche Monitorausgänge für den SDI Eingang, Ausgang und den enthaltenen Audiokanälen.
- vier AES Audio Eingänge mit SRC und einer Überwachung ob ein nicht PCM Signal (z.B. Dolby) angeschlossen ist, mit automatischer Deaktivierung des SRC damit die Daten nicht zerstört werden .
- vier AES Audio Ausgänge
- automatische korrektur der Dolby E Videozeilen-Ausrichtung
- Dolby Metadaten Ausgang und Eingang
- AV Ausgang
- Audio-Shuffler mit aktivierbaren Audio Delay
-

The 1.5G HD/SD Embedder-DeEmbedder is offering an easy solution, to process digital audio embedded into an SDI data stream.

Therefor the DEEM15HD supports all standard video standards for SDI and HD up to 1.5G.

The key feature of the DEEM15HD are:

- two selectabel SDI Inputs
- easy accessible monitoring outputs for the SDI Input, Output and the embedded audio signals
- two SDI outputs
- four AES input with selectable SRC and NON PCM (e.g. Dolby) detection with automatic disabling of the SRC to maintain data integrity of the NON PCM signal.
- four AES outputs
- Dolby Metadata Input and Output
- automatic Dolby E alignment correction
- AV Output
- Audio-Shuffler + selectable Audio Delay
-

License Notice:
"Dolby Digital", "Dolby E", and the double-D Symbol are trademarks of Dolby Laboratories.

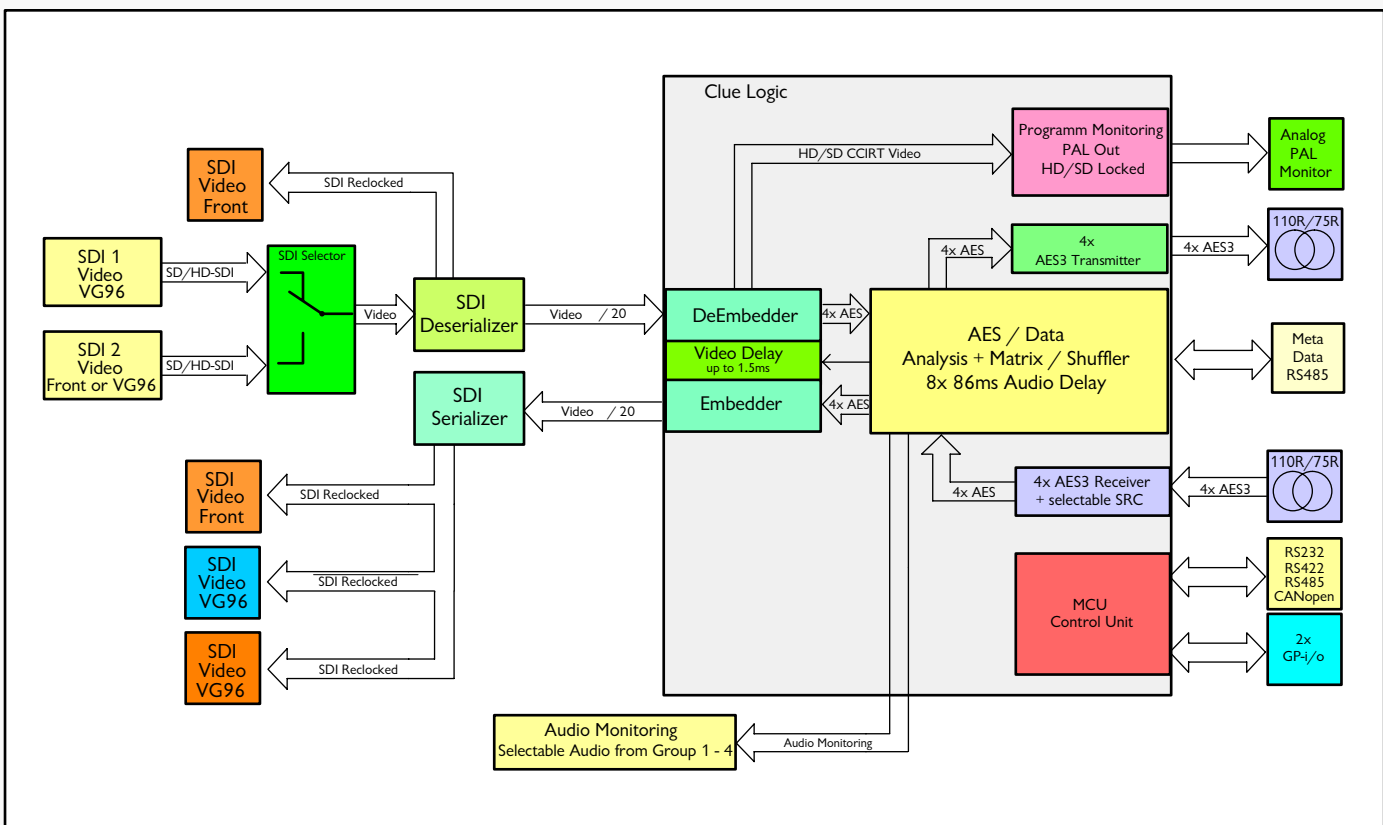


Fig.1 1.5G HD/SD Embedder/DeEmbedder EMDE15GHD block diagram

Technical Data:		
Video Input	2x	270Mbit/1.485Gbit (EBU 3267-E, SMPTE 259M and SMPTE 292M)
Video Outputs	4x	relocked Video Input 270Mbit/1.485Gbit
Video Delay	1x	up to 1.5ms > Dolby E Alignment Correction for one selected Dolby E data / Embedder + DeEmbedder Latency Correction
Audio Outputs (EMDE15GHD)	4x	AES3 (8 Audio Channels) 24Bit @ 48kHz locked to Video Input trafo balanced outputs 110Ohm impedance / 75Ohm on request DeEmbedding (SMPTE 272M or SMPTE 299M) Supports Non PCM Audio on all Audio Groups
Audio Input (EMDE15GHD)	4x	AES3 (8 Audio Channels) 24Bit @ 32-192kHz independent selectable SRC locked to Video Input Non PCM Audio (Dolby AC3/DolbyE) detection > automatic SRC bypass trafo balanced input 110Ohm impedance / 75Ohm on request Embedding (SMPTE 272M or SMPTE 299M) Supports Non PCM Audio on all Audio Groups from Video locked sources @48kHz (EM15GHD) 8AES (16 Audio Channels) Available as option when no DeEmbedder is needed
Audio Monitor Output	1x	AES3 Monitor Output AESi / 75Ohm SDI Audio Group Monitoring > Audio Group Selection via BCD Switch
Audio Delay	4x	up to 86ms
Analog Video Monitor	1x	PAL locked to Video Input / NTSC on request Color Bar / Black Burst Video Synx 75Ohm impedance HD downscaling projected for futurer versions
GP-I/O	2x	galvanically isolated > Input= max. 12Vdc // Output max. 24Vdc/100mA
Remote IF		1x RS232, 1x RS232/422, 1x RS485-BUS, 1x CANopen BUS 1x Dolby Metadata Input and Output
Power Supply		7V- 24V/DC
Dimensions		160mm x 100mm without front panel
Connector		DIN 41612 / C / 96p [VG96]
Art.No.		EMDE15GHD (Embedder + DeEmbedder) / EM15GHD (Embedder only)

License Notice:
"Dolby Digital", "Dolby E", and the double-D Symbol are trademarks of Dolby Laboratories.

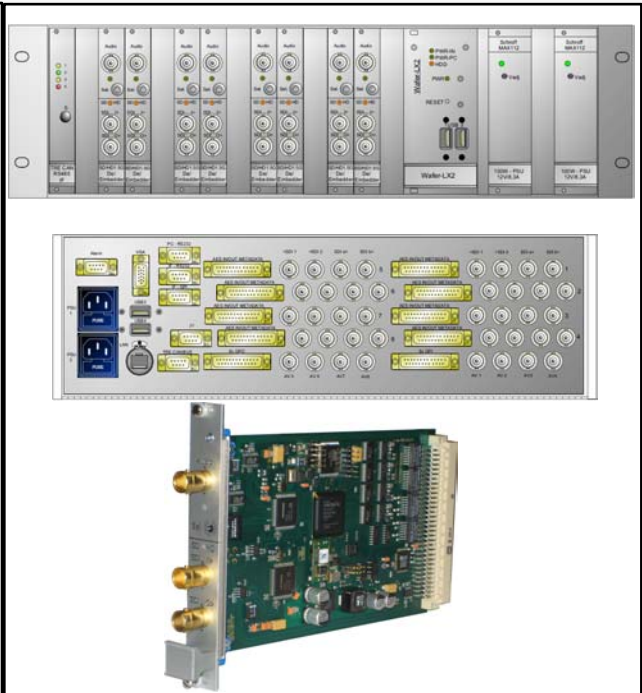


Fig.2 3RU19"Rack for 8x Embedder, 1x TRE-CAN-IF, 1x Remote PC and 2x PSU

RE THOMAS REITERER ELEKTRONIK GMBH

Adresse/Address: Habichergasse 32
A-1160 Wien/Vienna
Österreich/Austria

Tel.: +43 (0)1 494 16 48
FAX.: +43 (0)1 494 16 48 50
E-Mail: office@tr-elektronik.at
WWW: www.tr-elektronik.at

Distributor Adresse/Address